

K-BXSG234

Weldable Box

Type: Cylindrical

Dimensions:

4 3/4" W x 3 1/2" H x 1

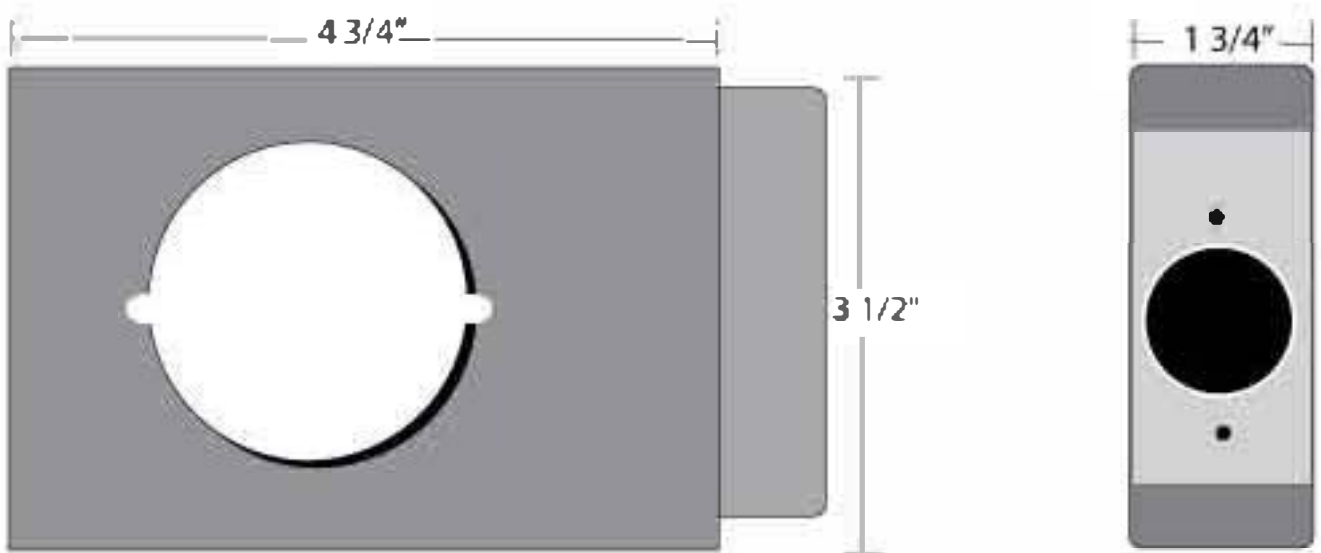
3/4" D Backset: 2 3/4"

Materials Available:

14 Gauge Steel.....K BXSG234

.125 Alurninurn.....K BXSG234-AL

16 Gauge Stainless Steel...K·BXSG234-SS



Order from:
mbausa.com - 859-887-0496

This rendering is NOT to scale and dimensions are NOT exact, for precise technical information, please refer to the template for the lock you are using.