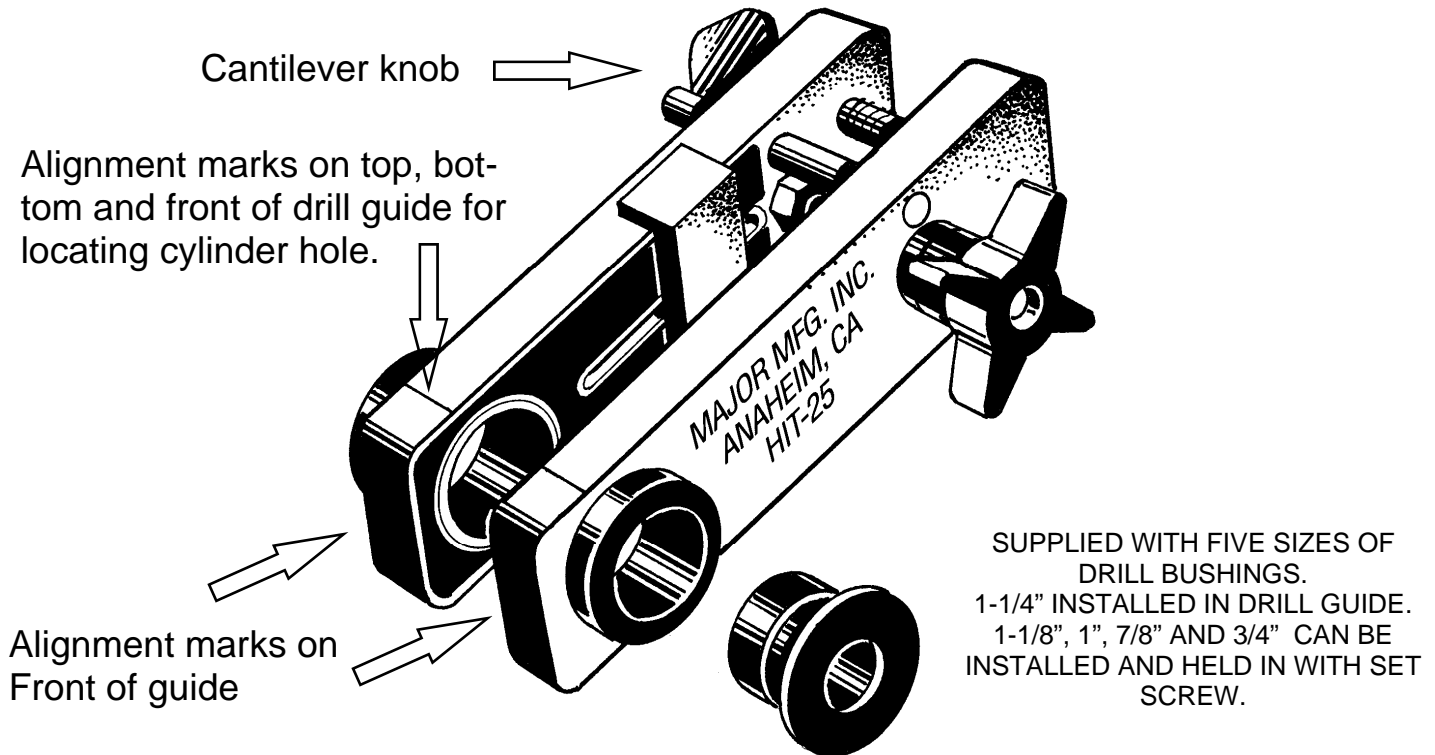


HIT-25

CABINET LOCK DRILL GUIDE

DIRECTIONS



1. Select an appropriate drill bit for the installation. A forstner, brad point or multi-spur will produce the best results. **Do not use a spade or paddle type bit**, this will bind in the bushing and possibly snap and cause damage to the cabinet door or guide. The use of hole saws is also not recommended.
2. Once proper backset and location has been determined, set the sliding stop and tighten wing nut for repeat installations.
3. Alignment marks are used to locate center hole of lock.
4. Drill half way from both sides of door to prevent tear out.

**ALWAYS WEAR SAFTY GLASSES WHEN USING
POWER TOOLS!!**

Major
MANUFACTURING, INC.

1825 Via Burton, Anaheim, CA, 92806

714-772-5202 / Fax 714-772-2302 / Email / mail@majormfg.com / web www.majormfg.com