

# LGBASIC<sup>II</sup>

ELECTRONIC ENTRY DEVICE



 **LAGARD**<sup>®</sup>  
One Company... Endless Solutions



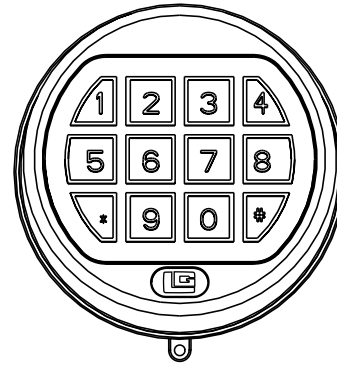
# LGBASIC<sup>II</sup>

## SPECIFICATIONS

### 3715 LGBASIC<sup>II</sup>

#### FEATURES

- Available in Satin Chrome, Brass and Black
- Outside Battery Compartment (*Located Behind Keypad*)
- One User-Supplied 9V Alkaline Battery

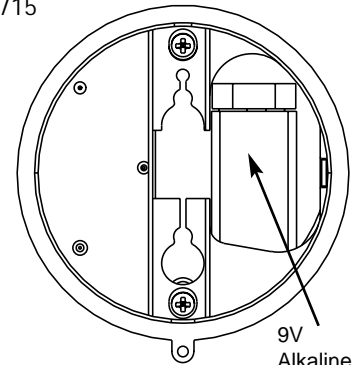


3715

### 3765-2 Dual-Handed Swingbolt (LGBASIC)

#### STANDARD FEATURES

- Manager Mode
  - Manager and One User Combination
- Wrong Try Penalty
- UL Listed, Type 1
- Made in the USA



9V Alkaline Battery

### 3260 Dual-Handed Swingbolt (SAFEGARD)

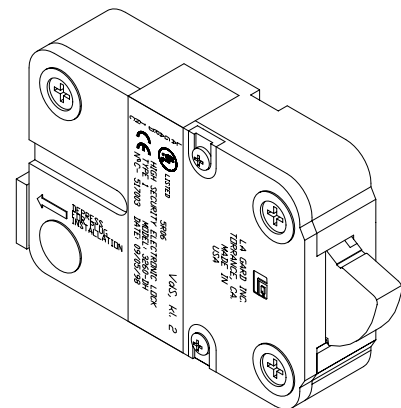
#### STANDARD FEATURES

- Signal to Disable Lock
  - Optional Alarm Box Required (*Sold Separately*)
- U.L. Listed, Type 1
- Made in the USA

### 3260 PROGRAMMABLE FEATURES

(With Optional Hand-Held Programmer)

- Manager Mode
- Second User
- Time Delay
  - Delay Period: 1 – 99 minutes
  - Open Period: 1 – 19 minutes
- Time Delay Override
- Dual Control
- Silent Signal Alarm
  - Optional Alarm Box Required (*Sold Separately*)
- Remote Override Signal
  - Optional Alarm Box Required (*Sold Separately*)



3765-2 or 3260

**310-325-5670**

Offices Located Worldwide



LA GARD, INC. 3330 Kashiwa Street, Torrance, CA 90505  
Ph: 310-325-5670 Fax: 310-325-5615 Fax On Demand: 877-LAGARD2  
Email: theone@lagard.com www.lagard.com