

LGACCESS



 **LAGARD**®
One Company... Endless Solutions

LGACCESS

SPECIFICATIONS

3900 LGACCESS FEATURES

- Available in Chrome, Brass, and Black
- Outside Battery Compartment (*Located Behind Handle*)
- One User-Supplied 9V Alkaline Battery
- 8mm Square Spindle Standard
(1/2 Inch Round Spindle Adapter -Sold Separately) #3928

3765-2 Dual-Handed Swingbolt (LGBASIC) STANDARD FEATURES

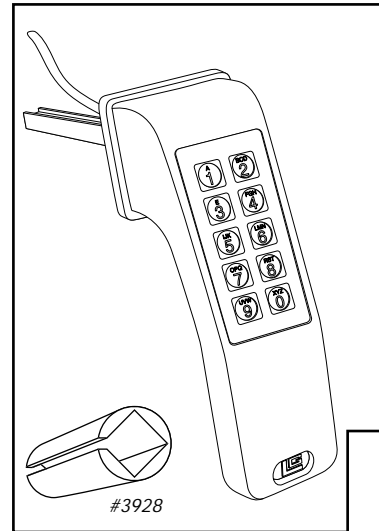
- Manager Mode
-Manager and One User Combination
- Wrong Try Penalty
- UL Listed, Type 1
- Made In The USA

3260 Dual-Handed Swingbolt (SAFEGARD) STANDARD FEATURES

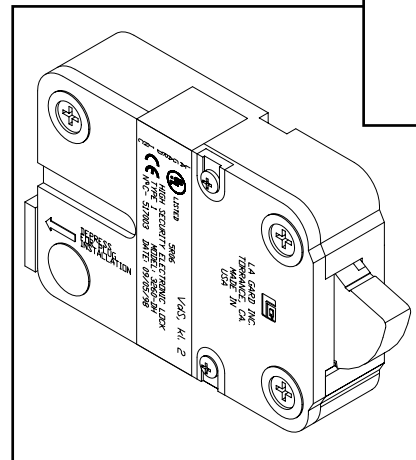
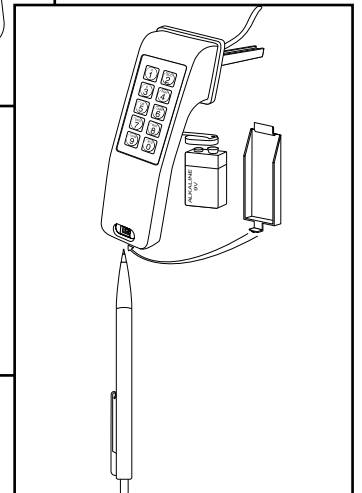
- Signal to Disable Lock
-Optional Alarm Box Required (*Sold Separately*)
- U.L. Listed, Type 1
- Made In The USA

3260 PROGRAMMABLE FEATURES *(With Optional Hand-Held Programmer)*

- Manager Mode
- Second User
- Time Delay
-Delay Period: 1-99 minutes
-Open Period: 1-19 minutes
- Time Delay Override
- Dual Control
- Silent Signal Alarm
-Optional Alarm Box Required (*Sold Separately*)
- Remote Override Signal
-Optional Alarm Box Required (*Sold Separately*)



3900



3765-2 or 3260

310-325-5670

Offices Located Worldwide



LA GARD, INC. 3330 Kashiwa Street, Torrance, CA 90505
Ph: 310-325-5670 Fax: 310-325-5615 Fax On Demand: 877-LAGARD2
Email: theone@lagard.com www.lagard.com